

Mini Oil-less Rocking Piston Pumps Series

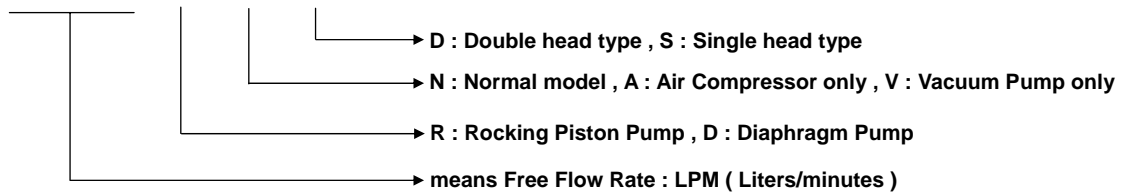
Features ;

- Oil-less operation & permanently lubricated bearings
- Equipped with thermal protector
- Whole parts are made by **AL Die Casting (not plastic)**
- Completely oil-free & Light weight
- Low noise & vibration, **leak tight**
- Distinguished long life & easy to maintain**

Applications ;

- Developed for **Oxygen concentrator**
(Membrane , RVSA & PSA Type)
- Medical, Dental & E.N.T. Equipments
- Semi Conductor processing , Chip mounter
- Packing machine, Food processing
- Environmental equipments

Selection Guide of Model



For Example ;

Model : 20RNS (Flow : 20LPM , Rocking Piston Pump , Air compressor & Vacuum Pump available , Single Head)

PICTURES



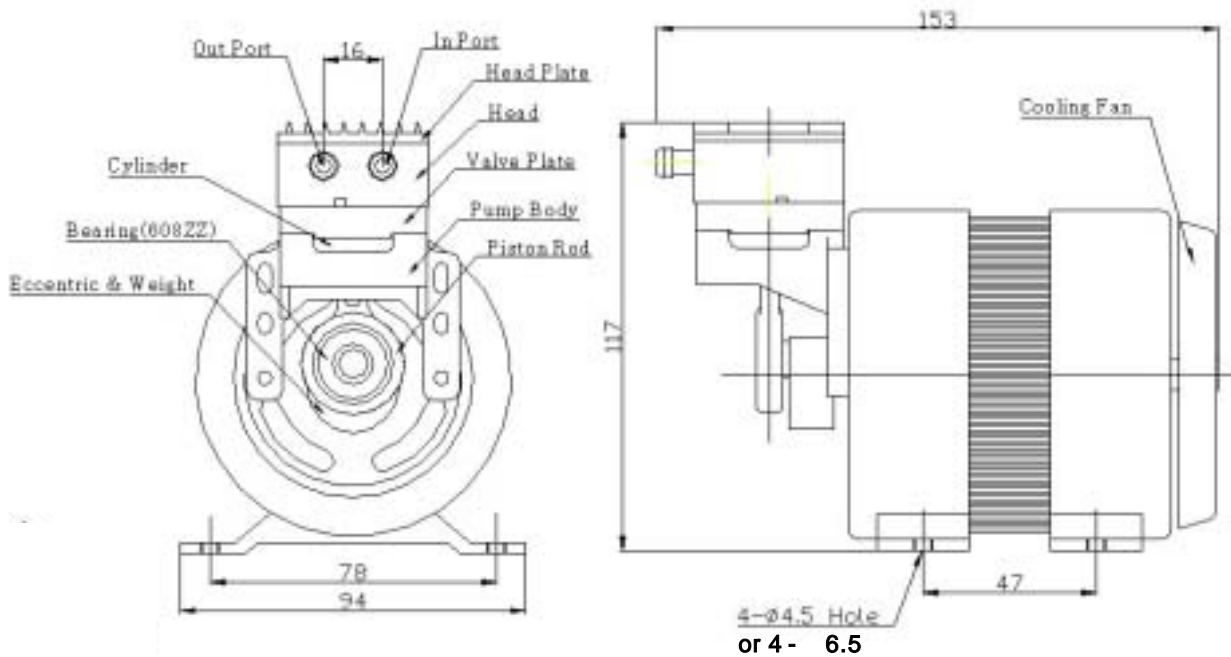
Double Head Type

Single Head Type

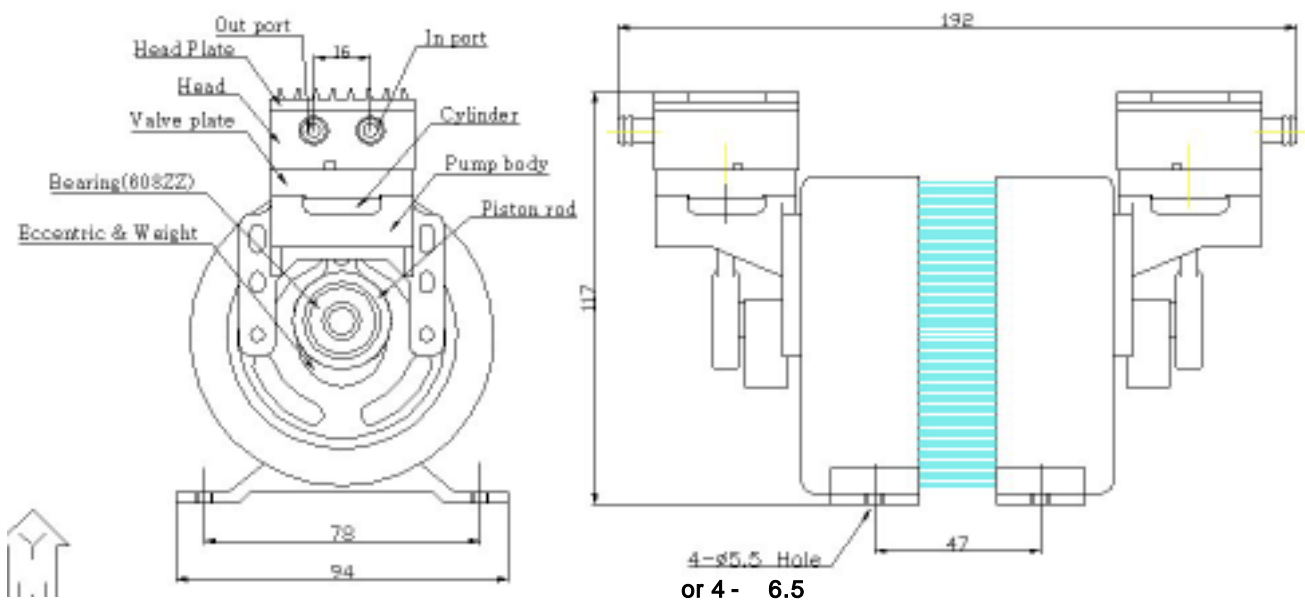
Mini Oil-less Rocking Piston Pumps Series

DIMENSIONS : Unit in Millimeters

Single Head Type (Head is rotative in 90 degree for connection direction)



Double Head Type (Each head is rotative in 90 degree for connection direction)



SPECIFICATIONS

MODEL Descriptions	DOUBLE HEAD			
	20RND	15RND	12RND	10RND
HEAD CONFIGURATION	Vacuum / Pressure			
FREE FLOW RATE	20 LPM X 2 Heads	15 LPM X 2 Heads	12 LPM X 2 Heads	10 LPM X 2 Heads
MAX. VACCUM	650mmHg	600mmHg	540mmHg	490mmHg
MAX.PRESSURE	6 kg/cm ²	4.5 kg/cm ²	2.5 kg/cm ²	2 kg/cm ²
CONNECTING TYPE	Tubing Type (Tube size : Inner diameter must be less than 8 mm)			
DIMENSIONS	192(L) x 94(W) x 117(H) mm			
WEIGHT	2.2 kg			
MOTOR TYPE	4 pole, Capacitor Start Type, Equipped with Thermal Protector			
MOTOR POWER	60 W			
POWER SOURCE	100 ~ 110 VAC (50/60 Hz), 200 ~ 220 VAC (50/60 Hz), 230 ~ 240 VAC (50 Hz)			

The data on above table are based on each one head, because each head is installed separately , please refer drawing or picture on before page.

Another model and type of motor (non standard motor or DC/BLDC motor) can be supplied according to your request.

Different specifications of head type can be supplied as double head type for application of Oxygen Concentrator in accordance with your request. (RVSA or Membrane type)
2 pole motor type can be provided as your request.

Please contact us for future technical information and how to apply to your system..

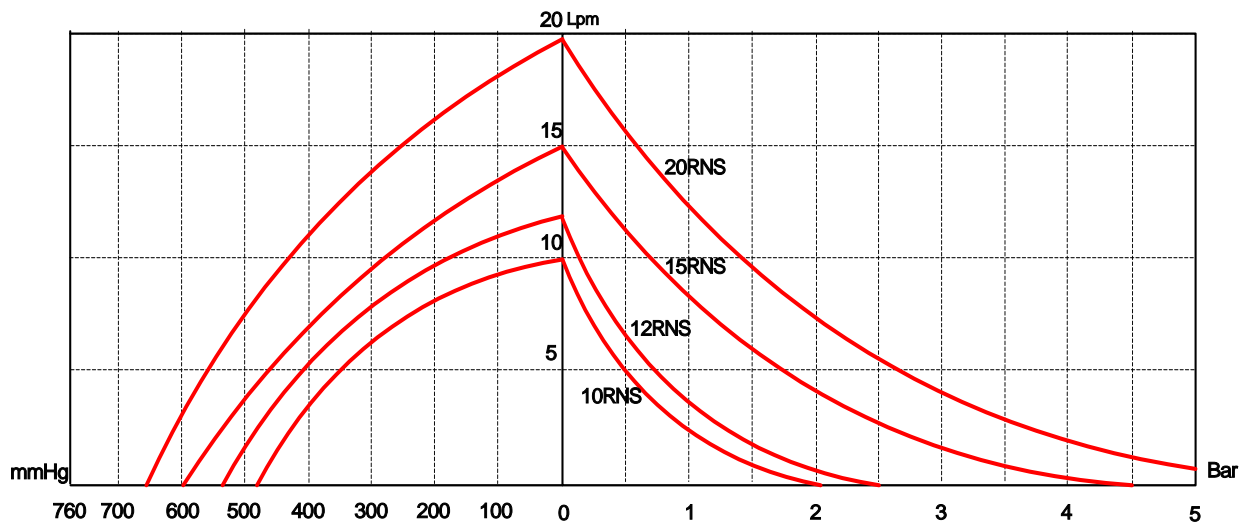
Performance Curves of Double Head Type

Please refer performance curves of single head type on next page.

SPECIFICATIONS

MODEL Descriptions	SINGLE HEAD			
	20RNS	15RNS	12RNS	10RNS
HEAD CONFIGURATION	Vacuum / Pressure			
FREE FLOW RATE	20 Lpm	15 Lpm	12 Lpm	10 Lpm
MAX. VACCUM	650mmHg	600mmHg	540mmHg	490mmHg
MAX.PRESSURE	6 kg/cm ²	4.5 kg/cm ²	2.5 kg/cm ²	2 kg/cm ²
CONNECTING TYPE	Tubing Type (Tube size : Inner diameter must be less than 8 mm)			
DIMENSIONS	140(L) x 94(W) x 117(H) mm			
WEIGHT	1.7 kg			
MOTOR TYPE	4 pole, Capacitor Start Type, Equipped with Thermal Protector & Cooling Fan			
MOTOR POWER	40 W			
POWER SOURCE	100 ~ 110 VAC (50/60 Hz), 200 ~ 220 VAC (50/60 Hz), 230 ~ 240 VAC (50 Hz)			

Performance Curves of Single Head Type



Mini Oil-less Piston Pump (Single Head Type)



G&M Tech Inc.

()

2F, #327-7, Dangeong-Dong, Gunpo-City
 Kyunggi-Do, Korea
 TEL : +82-31-459-8221,
 FAX : +82-31-459-8611
 Home Page : <http://gnmtechinc.en.ec21.com>
 E-MAIL : info@gnmtechinc.com